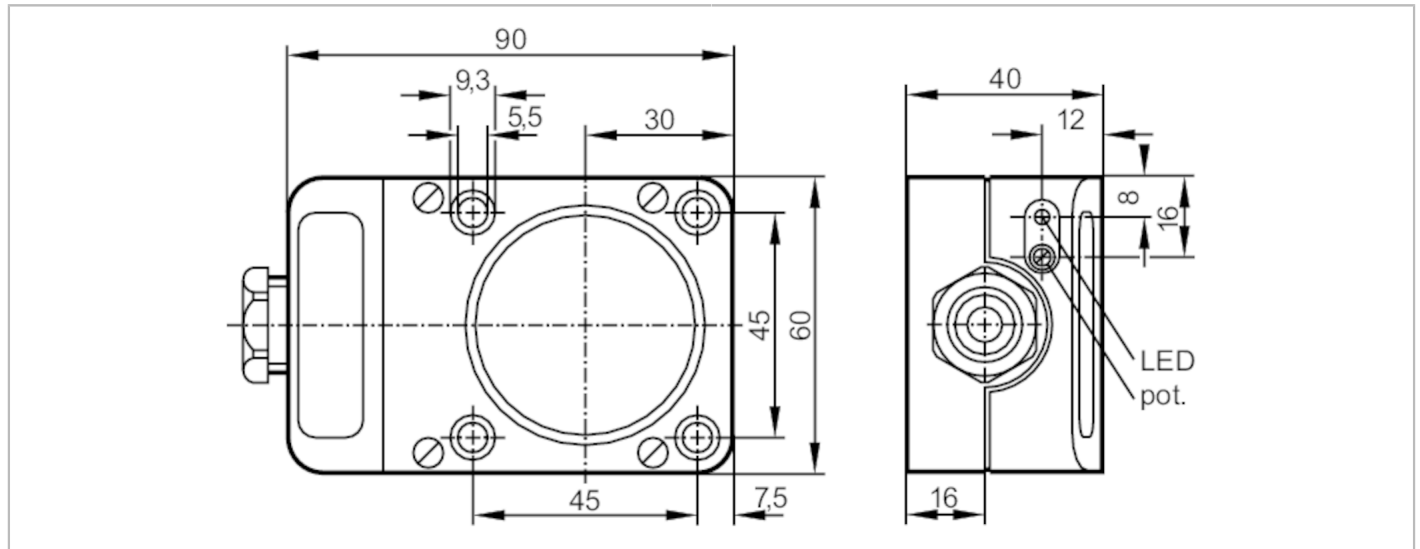


IC5005



Inductive sensor

ICE3040-FPKG



| Product characteristics | | |
|---|------|--------------------------------------|
| Electrical design | | PNP |
| Output function | | normally open / closed; (selectable) |
| Sensing range | [mm] | 40 |
| Housing | | rectangular |
| Dimensions | [mm] | 90 x 60 x 40 |
| Electrical data | | |
| Operating voltage | [V] | 10...36 DC |
| Current consumption | [mA] | 15; (24 V) |
| Protection class | | II |
| Reverse polarity protection | | yes |
| Outputs | | |
| Electrical design | | PNP |
| Output function | | normally open / closed; (selectable) |
| Max. voltage drop switching output DC | [V] | 2.5 |
| Permanent current rating of switching output DC | [mA] | 250 |
| Switching frequency DC | [Hz] | 15 |
| Short-circuit protection | | yes |
| Type of short-circuit protection | | yes (non-latching) |
| Overload protection | | yes |
| Monitoring range | | |
| Sensing range | [mm] | 40 |
| Sensing range adjustable | | yes |
| Factory setting sensing range | [mm] | 40 |
| Real sensing range Sr | [mm] | 40 ± 10 % |
| Operating distance | [mm] | 0...32.4 |

IC5005



Inductive sensor

ICE3040-FPKG

| Accuracy / deviations | | |
|-------------------------------|--|-------------------|
| Correction factor | steel: 1 / stainless steel: 0.7 / brass: 0.4 / aluminum: 0.3 / copper: 0.2 | |
| Hysteresis [% of Sr] | 1...15 | |
| Switch-point drift [% of Sr] | -10...10 | |
| Operating conditions | | |
| Ambient temperature [°C] | -25...80 | |
| Protection | IP 65 | |
| Tests / approvals | | |
| EMC | EN 60947-5-2 | |
| MTTF [years] | 1261 | |
| UL approval | Ta | 0...40 °C |
| | Enclosure type | Type 1 |
| | voltage supply | Hazardous voltage |
| | File number UL | E174191 |
| Mechanical data | | |
| Weight [g] | 268 | |
| Housing | rectangular | |
| Mounting | non-flush mountable | |
| Dimensions [mm] | 90 x 60 x 40 | |
| Material | PPE | |
| Displays / operating elements | | |
| Display | Switching status 1 x LED, yellow | |
| Accessories | | |
| Items supplied | screwdriver: 1 | |
| | spring washers: 4 | |
| | cylinder screws: 4 x M5 x 35 | |
| Remarks | | |
| Pack quantity | 1 pcs. | |

IC5005



Inductive sensor

ICE3040-FPKG

Electrical connection

terminals: ...2.5 mm²; Cable sheath: Ø 7...13 mm; Cable gland: M20 X 1.5

Connection

